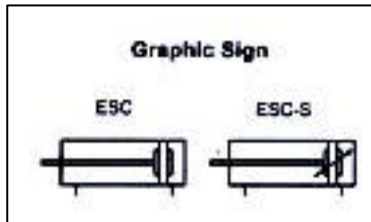




Registered No. 325327
 email: info@oasisinstruments.com
 website: www.oasisinstruments.com



AIR CYLINDER

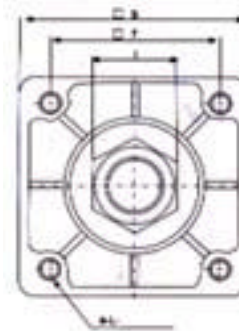
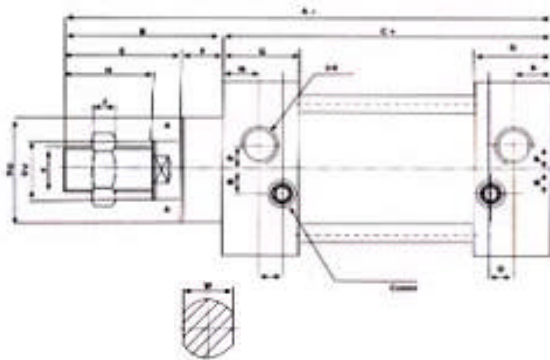
Features

- Accurate Mounting
- Compact and Lightweight Design
- Easy Adjustment of Cushion Value
- High Kinetic Energy Absorption
- Improved Cushion Capacity
- Minimal Rod Deflection
- Special Seals for Lower Friction

Technical Parameter

Piston Dia (mm)	32	40	50	63	80	100
Action	Double Acting/Single Acting					
Fluid	Compressed Air					
Proof Pressure	15Kgf/cm ²					
Max. Operating Pressure	10Kgf/cm ²					
Min. Operating Pressure	0.5 Kgf/cm ²					
Temperature Range	0 to 60° C					
Lubrication	Not Required					
Operating Piston Speed	50 to 100 mm/s					
Allowable Stroke Tolerance	Up to 250 0-1 mm			251 to 1000 0-1.5 mm		
Cushion	Both Ends (Air Cushion)					
Port Size	1/8	1/4	1/4	3/8	3/8	1/2
Max. Stroke	1000	1200	1500	1500	1500	1500

Figure Dimension (Æ 32 -Æ 100)



Cylinder Dia. (mm)	A	B	C	D	E	F	G	H	I	J	K	L	N	O	P	Q	R	S	T	V	W
32	140	47	93	28	32	15	28	22	17	6	M10 X 1.25	M6 X 1	14	G1/8	5	7	6.5	46	33	12	10
40	142	49	93	32	34	15	28	24	19	7	M12 X 1.25	M6X 1	14	G1/4	6	7	8.5	51	37	16	14
50	150	57	93	38	42	15	28	32	22	8	M16 X 1.5	M6X 1	14	G1/4	7	7	9	62	47	20	17
63	153	57	96	38	42	15	28	32	22	8	M16 X 1.5	M8 X 1.25	14	G3/8	7	7	9	75	56	20	17
80	183	75	108	47	54	21	33	40	27	10	M20 X 1.5	M10 X 1.5	16.5	G3/8	7	9	11	94	70	25	22
100	189	75	114	47	54	21	33	40	27	10	M20 X 1.5	M10 X 1.5	16.5	G1/2	7	9	11	112	84	25	22



OASIS INSTRUMENTS CO.

2-2-103 to 108 Ranigunj
 Ganesh Chamber, 2nd Floor
 Secunderabad - 500 003
 Andhra Pradesh, India
 Telefax: +91-40-40025290

E-mail : oasis_instruments@yahoo.co.in, info@oasisinstruments.com
 Url: www.oasisinstruments.com