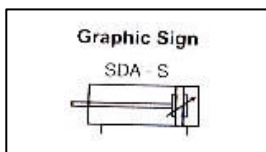




Registered No. 325327



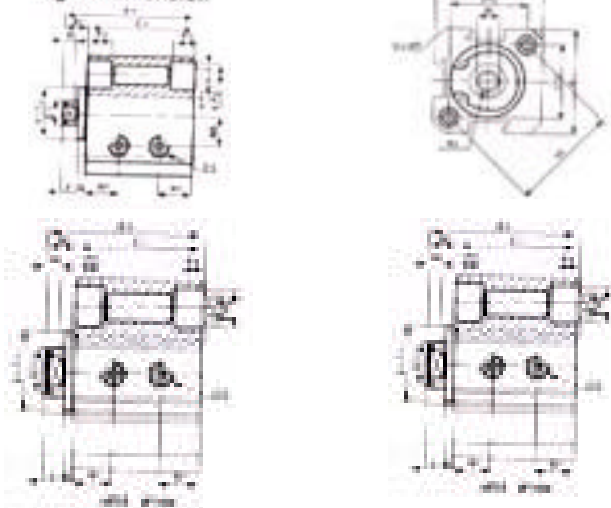
Compact Cylinder



Features

- Compact & Light Weight
- Various Rod End Option
- Special Purpose Cylinder

Figure Dimension



Specifications

Type of Constraction	Compact Profile
Operation	Single and double acting
Materials	Aluminium body – steel rod
Min. Operating Pressure	Min. Pressure: 0.1 MPaC
Max. Operating Pressure	Max. Pressure: 10 bar
Operating Temperature	-0 – 80°C
Fluid	Clean air with or without lubrication
Assembly	Body, feet, trunnion
Rod end thread	Female Thread / Male thread

Piston Dia	Non Magnetic			Magnetic			D	E	F	G	K1	L	M	N1
	A	B1	C	A	B1	C		≤10						
12	22	5	17	32	5	27	...	6	4	1	M3x 0.5	10.2	2.8	6.3
16	24	5.5	18.5	34	5.5	28.5	...	6	4	1.5	M3x 0.5	11	2.8	7.3
20	25	5.5	19.5	35	5.5	28.5	36	8	4	1.5	M4x 0.7	16	2.8	7.5
25	27	6	21	37	6	31	42	10	4	2	M5x 0.8	17	2.8	8
32	31.5	7	24.5	41.5	7	34.5	50	12	4	3	M6 x 1	22	2.8	9
40	33	7	26	43	7	36	58.5	12	4	3	M8x 1.25	28	2.8	10
50	37	9	28	47	9	38	71.5	15	5	4	M8x 1.25	38	2.8	10.5
63	41	9	32	51	9	42	84.5	15	5	4	M10x1.5	40	2.8	11.8
80	52	11	41	62	11	51	104	15/20	6	5	M14x 1.5	45	4	14.5
100	63	12	51	73	12	61	124	18/20	7	5	M18x 1.5	55	4	20.5

Piston Dia	O	P1	P2	P3	R	S	T1	T2	U	V	W	X	Y
12	M5X0.8	M5 X 0.8	∅6.5	4.5	--	25	16.2	23	1.6	6	5
16	M5 X 0.8	M5 X 0.8	∅6.5	4.5	--	29	19.8	28	1.6	6	5
20	M5 X 0.8	M5 X 0.8	∅6.5	4.5	2	34	24	...	2.1	8	6	11.3	10
25	M5X 0.8	M6X1	∅8.2	5.5	2	40	28	...	3.1	10	8	12	10
32	G1/8	M6X1	∅8.2	5.5	6	44	34	..	2.15	12	10	18.3	15
40	G1/8	M8X 1.25	∅ 10	7.5	6.5	52	40	..	2.25	16	14	21.3	16
50	G1/4	M8X 1.25	∅ 11	8.5	9.5	62	48	...	4.15	20	17	30	20
63	G1/4	M8X 1.25	∅ 11	8.5	9.5	75	60	...	3.15	20	17	28.7	20
80	G3/8	M12X1.75	∅ 14	10.5	10	94	74	..	3.65	25	22	36	26
100	G3/8	M14 X 2	∅ 17.5	13.5	10	114	90	..	3.65	32	27	35	26



OASIS INSTRUMENTS CO.

2-2-103 to 108 Ranigunj
Ganesh Chamber, 2nd Floor
Secunderabad - 500 003
Andhra Pradesh, India
Telefax: +91-40-40025290

E-mail : oasis_instruments@yahoo.co.in, info@oasisinstruments.com
Url: www.oasisinstruments.com