


This is a high performance, precision micro switch instrument with $\pm 2^{\circ}\text{C}$ accuracy, capable of temperature monitoring, indication & control for the protection of Dry Type Transformers and Industrial Process Control Equipments.

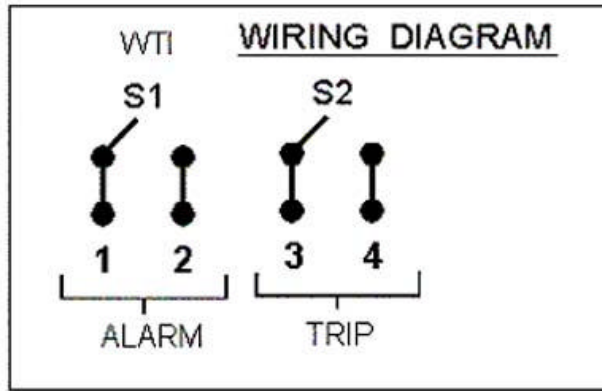
Salient Features:	
	No external power supply required for indication or operation
	Fully compensated for ambient temperature changes in line & case
	Liquid in metal expansion provides self powered system
	Weather proof case for outdoor use (IP 55)
	Panel mounting or Project Mounting
	UP to 2 control switches available
	Maximum capillary length of 6 mtrs.
	Sealed system which requires no trimming or periodic site adjustments.

Indicating Dial:	
Dimension	150 mm (6") Round Type
Anugular Sweep	270°
Range	0-150°C, 0-240°C
Accuracy	$\pm 2^{\circ}\text{C}$
Graduations	2°C per division

Electrical Connections:	
Wiring Diagram	Supplied with each instruments
Cable Conductor Size	1sq.mm.
All line to Body (Earth) High Voltage Breakdown Tested	2500V AC, 50Hz.for 60 seconds
Cable for Connection	4 Crore for Copper Cable for Switch Connections - 1mtr. Length

Switch Configurations:	
Maximum Number of Switches	2
Switch Type	Heavy Duty Micro Switch
Switch Rating	5A at 240V $\pm 10\%$ AC and 0.5A at 220V $\pm 10\%$ DC
Switches	Normally Open Type
Adjustable Range	10 – 90% of Full Scale Range
Switch Differential	5°C-Fixed
Switch Accuracy	$\pm 2.5^{\circ}\text{C}$ of Set Value
Contact Type	Switch Contacts are Potential Free

Wiring Diagram:



Instrument Case:

The instrument is housed in a weatherproof cast aluminum alloy casing finished with epoxy powder coated at all sides. Suitable for outdoor mounting - Protective Class IP55 as per IS 13947 part II.

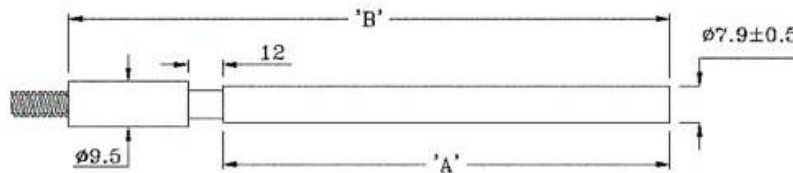
Capillary Line:

Capillary Entry	Bottom of the case
Length	Up to 6 Meters
Material	Capillary line protected by flexible Stainless Steel Armour

Standard Fittings:

- Resettable Maximum Pointer
- Anti-Vibration Mountings (For Projection Mounting)
- 'V' Shape S.S. Clamp, Gasket & Rubber Shoe (For Flush Mounting)

Sensing Bulb:

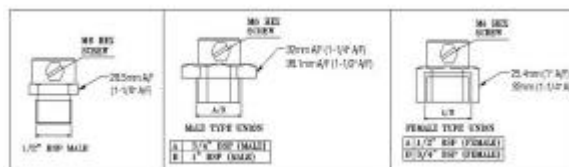


BULB DIMENSIONS SELECTION

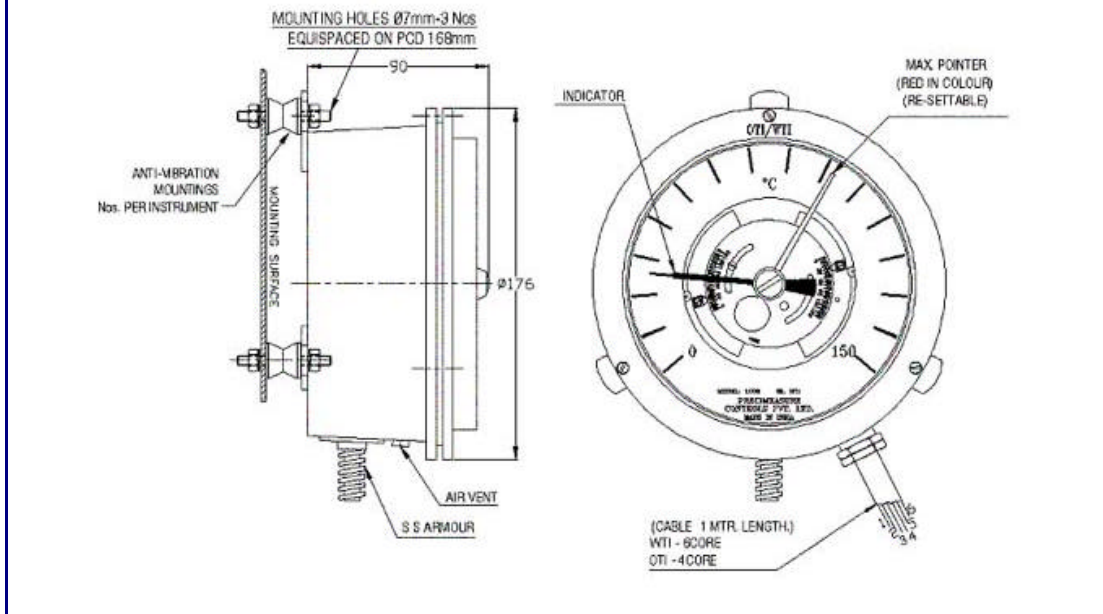
TYPE	'A'	'B'	RANGE
1	250	286	0-150
2	250	286	0-240

Sensing Bulb Connectors:

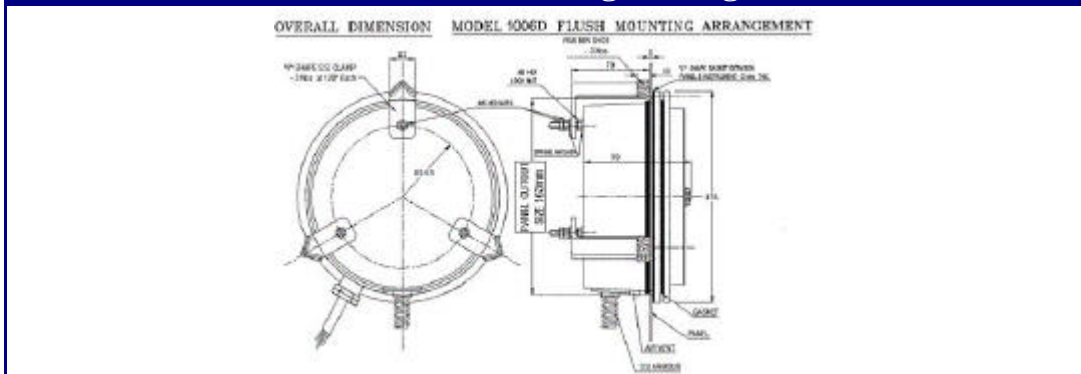
The different types of connectors available are as follows:.



Overall Dimension & Mounting Dimension: Projection Mounting Arrangement



Flush / Panel Mounting Arrangement:



Simplifying Technology
Redefining Value...



OASIS INSTRUMENTS CO.

2-2-103 to 108 Ranigunj
Ganesh Chamber, 2nd Floor
Secunderabad - 500 003
Andhra Pradesh, India
Telefax: +91-40-40025290

E-mail : oasis_instruments@yahoo.co.in, info@oasisinstruments.com
Url: www.oasisinstruments.com