



### Type RT Pressure Switch

- ❖ High repeatability
- ❖ Interchangeable contact system
- ❖ Two cable entries
- ❖ IP66
- ❖ Manual or automatic reset
- ❖ Adjustable and fixed differential
- ❖ CE marked in accordance to EN 60947-4/-5
- ❖ Ship approved.

### Technical Data

Media:	Air, Gas, Liquid	
Media Temperature:	-50°C to 150°C, RT113 max 90°C. With damping coil max. 400°C	
Ambient Temperature:	In general: -50°C to 70°C	
Enclosure:	IP66; Manual reset version: IP54	
Electrical Connection:	Two Pg 13.5 (cable diameter 5 to 14 mm)	
Contact System:	SPDT, interchangeable to other types	
Contact load:	AC-1 Ohmic:	10A, 440 V
	AC-3 (motor):	4A, 400 V
	AC-14/15 (Coil/transformer):	3A, 400 V
	DC-13/14:	12W, 230 V

For more information: See datasheet DKACT.PD.P10.D3.02

### Ordering – Standard pressure controls

Setting range (bar)	Adjustable / fixed Differential (bar)	Max. Operating pressure (bar)	Pressure connection	Type	Code No.			
-1 to 0	0.09 to 0.4	7	G3/8"A	RT 121	017-5215			
0 to 0.3	0.01 to 0.05	0.4	G3/8"A	RT 113	017-5196			
0.1 to 1.1	0.07 to 0.16	7	G3/8"A	RT 112	017-5191			017-5193
0.1 to 1.1	0.07 (fixed)	7	G3/8"A	RT 112		017-5192		
0.2 to 3	0.08 to 0.25	7	G3/8"A	RT 110	017-5291			017-5292
-0.8 to 5	0.5 to 1.6	22	G3/8"A	RT 1A	017-5001 1)			
-0.8 to 5	0.5 (fixed)	22	G3/8"A	RT 1A			017-5002	
0.2 to 6	0.25 to 1.2	22	G3/8"A	RT 200	017-5237			017-5240
0.2 to 6	0.25 (fixed)	22	G3/8"A	RT 200		017-5238	017-5239	
1 to 10	0.3 to 1.3	22	G3/8"A	RT 116	017-5203			017-5200
1 to 10	0.3 (fixed)	22	G3/8"A	RT 116		017-5204	017-5199	
4 to 17	1.2 to 4	22	G3/8"A	RT 5	017-5255			017-5253
4 to 17	1.2 (fixed)	22	G3/8"A	RT 5		017-5094 2)		
10 to 30	1 to 4	42	G3/8"A	RT 117	017-5295			017-5296

1) Supplied with Ø6/Ø10mm weld nipple, 2) Supplied with seal cap

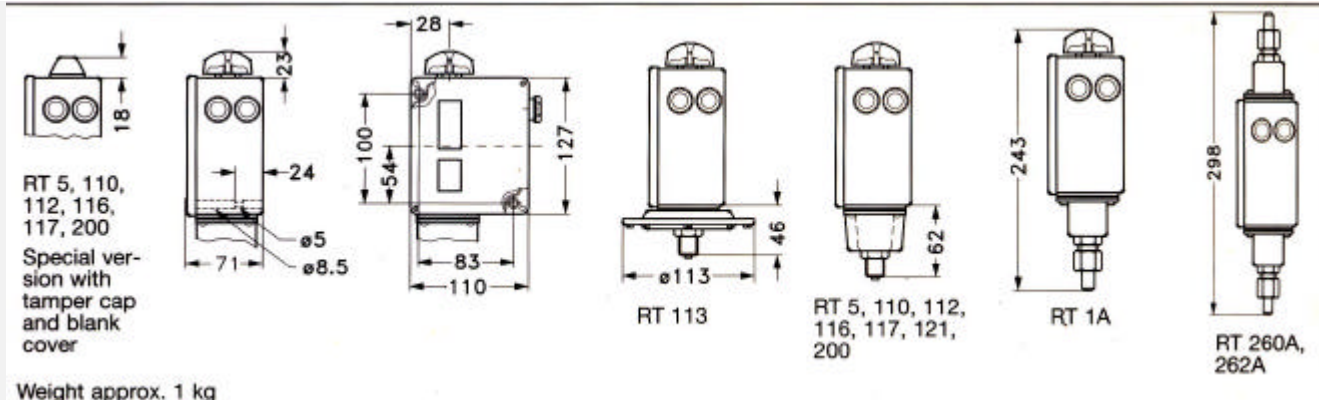
## Ordering – Differential pressure controls

Regulation range (bar)	Differential (bar)	Operating range (bar)	Max. operating pressure (bar)	Pressure connection ISO 228/1	Type	Code No.
0.1 to 1.5	0.1	-1 to 9	11	G3/8"A 3)	RT262A	017D0025
0 to 0.3	0.035	-1 to 10	11	G3/8"A 3)	RT262A	017D0027 4)
0.5 to 4	0.3	-1 to 18	22	G3/8"A 3)	RT260A	017D0021
1.5 to 11	0.5	-1 to 31	42	G3/8"A 3)	RT260A	017D0024

3) Weld nipple  $\varnothing 6/\varnothing 10$  supplied.

4) Complete with non-snap action contacts (25VA, 24V)

## Dimensions and Weight



## Accessories

Part	Description	Qty.	Code No.
Covers	Covers: Polyamide	5	<b>017-4361</b>
	Colour: Pale grey RAL 7035	5	<b>017-4362</b>
Seal cap	Seal cap to replace setting knob so that setting can only be altered by tools	1	<b>017-4360</b>
Setting knob	Replacement setting knob	1	<b>017-4363</b>
Clamping band	Clamping band for all RT pressure controls with damping coil or other longer connections. L = 392 mm	10	<b>017-4204</b>
Damping coil	Damping coil with G3/8 connectors and 1.5 m copper capillary tube. Standard washers are supplied	1	<b>060-1047</b>
Armoured damping coil	Damping coil with G3/8 connectors and 1.5 m armoured copper capillary tube. Standard washers are supplied	1	<b>060-3333</b>



## OASIS INSTRUMENTS CO.

2-2-103 to 108 Ranigunj  
Ganesh Chamber, 2nd Floor  
Secunderabad - 500 003  
Andhra Pradesh, India  
Telefax: +91-40-40025290

E-mail : [oasis\\_instruments@yahoo.co.in](mailto:oasis_instruments@yahoo.co.in), [info@oasisinstruments.com](mailto:info@oasisinstruments.com)  
Url: [www.oasisinstruments.com](http://www.oasisinstruments.com)